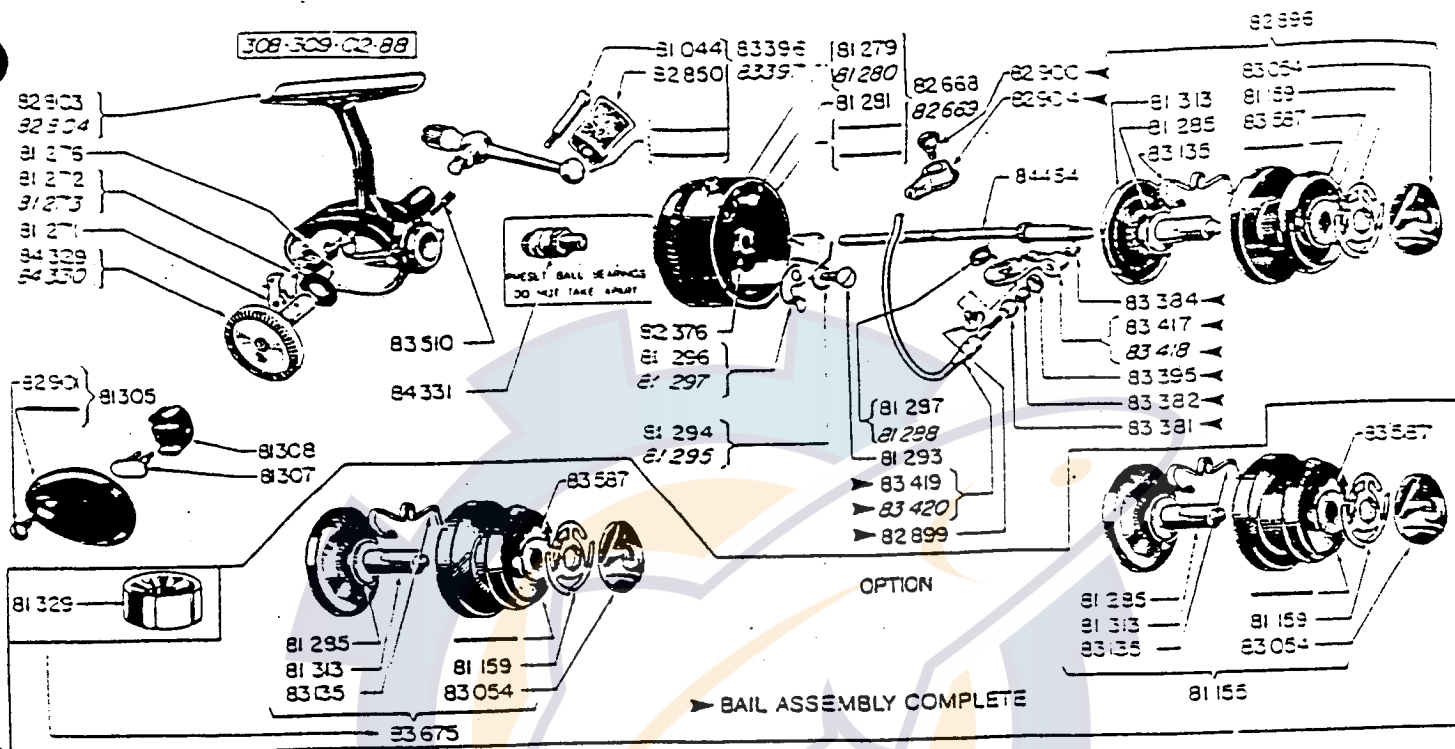


The italicized part numbers are only for the 309.



Part No.	Part Name
81044	HANDLE KNOB SCREW
81155	SPOOL—SHALLOW GRAPHITE
81159	BRAKE SPRING
81271	STEEL ANTI-REVERSE DOG
81272	ANTI-REVERSE DOG SPRING
81273	ANTI-REVERSE DOG SPRING
81275	STEEL THRUST WASHER
81276	LEAD COUNTERWEIGHT
81279	LEAD COUNTERWEIGHT
81290	COUNTERWEIGHT SCREW
81291	TEFLON BASE WASHER
81295	STEEL BAIL SPRING
81298	STEEL BAIL SPRING
81293	BRASS TRIP LEVER SCREW
81294	BRASS TRIP LEVER SPRING
81295	STEEL TRIP LEVER SPRING
81296	STEEL TRIP LEVER
81297	STEEL TRIP LEVER
81305	SIDE PLATE & SCREW
81307	OSCILLATION SLIDE LOCK/SET
81308	OSCILLATION SLIDE
81313	SPINDLE
81329	SPOOL ARBOR
82003	BAIL ASSEMBLY COMPLETE 308
82004	BAIL ASSEMBLY COMPLETE 309
82375	BRASS HEX NUT
82568	ALUM.ALLOY ROTATING HEAD
82569	ALUM.ALLOY ROTATING HEAD

Part No.	Part Name
82903	ALUM.ALLOY HOUSING
82904	ALUM.ALLOY HOUSING
82950	HANDLE KNOB
82996	SPOOL—DEEP GRAPHITE
82999	BRASS BAIL SCREW N1
82900	BRASS BAIL SCREW N2
82901	COVER PLATE SCREW
82904	BAIL WIRE BRACKET
83054	DRAG ADJUSTING KNCB
83135	STEEL CLICK SPRING
83381	BRASS ROLLER LINE GUIDE
83382	ROLLER LINE GUIDE BUSHING
83384	BRASS BAIL HEX NUT
83395	BRASS LINE GUIDE RACE )
83396	HANDLE COMPLETE
83397	HANDLE COMPLETE
83417	BAIL ARM
83418	BAIL ARM
83419	STEEL BAIL WIRE
83420	STEEL BAIL WIRE
83510	STEEL BALLBEARING SCREW
83587	LEATHER DRAG WASHER
83675	SPOOL DEEP METAL
84329	DRIVE GEAR
84330	DRIVE GEAR
84331	PINION ASSEMBLY
84454	BRONZE MAIN AXLE